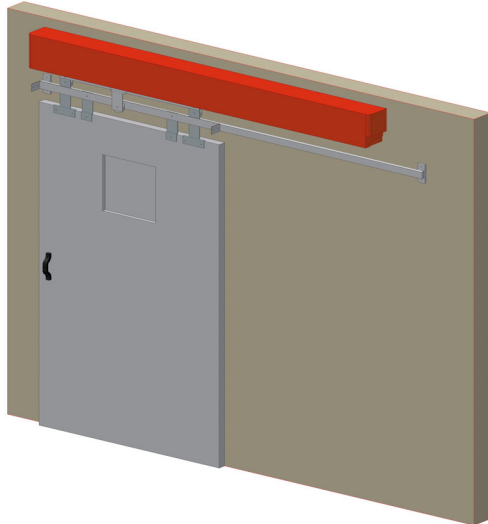


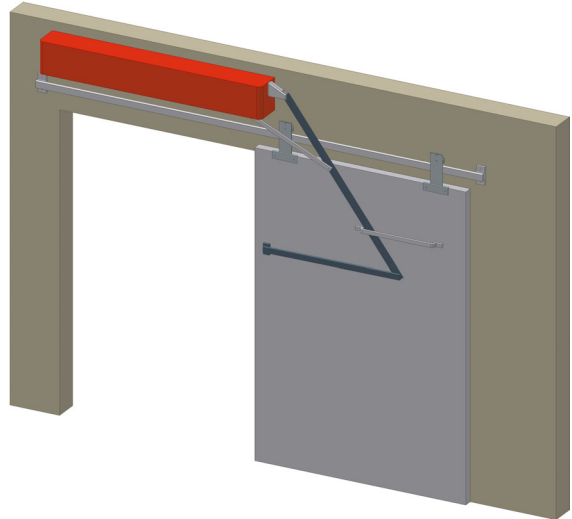
# Carey Automatic Door, LLC

## PNEUMATIC OPERATOR FOR SINGLE SLIDING DOOR

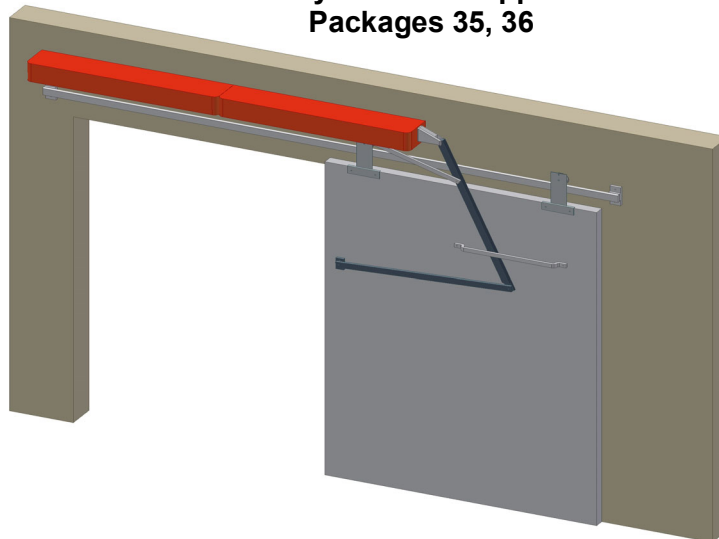
**For Commercial Applications  
Cable Drive System  
Packages 30, 31, 32**



**For Industrial Applications  
Packages 33, 34**



**For Heavy Industrial Applications  
Packages 35, 36**



### **FACTORS TO CONSIDER BEFORE ORDERING:**

- HAND:** Specify Right Hand if door opens toward the left when facing operator.  
Specify Left Hand if door opens toward the right when facing operator.
- OPENING:** Determines size of operator required.
- SAFETY SWITCH:** Safety Switch 408987 required when safety device is used.

All operators shipped as single acting. Closing Valve Kit (307381, ALL AIR 940100) is available as extra for double acting.

**FIRE DOOR APPLICATIONS:** Refer to Page CP-10.

### **CONSIDER WHETHER YOU NEED ANY OR ALL OF THE FOLLOWING:**

Closing Valve Kit 307381, 940100 for Double Acting Operation; Safety Switch 408987; Controls; Track and Hangers refer to Pages CPD-16 & CPD-17.

## Carey Automatic Door, LLC

### PNEUMATIC OPERATOR FOR SINGLE SLIDING DOOR

#### FOR COMMERCIAL OR CONCEALED APPLICATIONS Not Available in ALL AIR

PKG NO.	PART NO.*	DESCRIPTION	SIZE OF OPENING
30	307724	18" 020 Spring Closing*	27" to 34"
31	307725	24" 020 Spring Closing*	35" to 47"
32	307726	36" 020 Power Closing*	48" to 71"

PKG NO. 30	PKG NO. 31	PKG NO. 32	ITEM DESCRIPTION
1 - 103159 (60)	1 - 103159 (60)	--	OPERATOR OS 24" RH (LH)
--	--	1 - 103161 (2)	OPERATOR OD 36" RH (LH)
1 - 307481	1 - 307481	1 - 307481	ACCESSORY PACKAGE - 020 COMMON
1 - 307854	1 - 307856	1 - 307857	ACCESSORY PACKAGE - 020 SIZED
1 - 515430	1 - 515430	1 - 515430	PLUG-IN RELAY

\*AVAILABLE FOR BI-PARTING DOORS.

#### FOR INDUSTRIAL APPLICATIONS For ALL AIR, See Page CP-7B

PKG NO.	PART NO.*	DESCRIPTION	SIZE OF OPENING
33	307727	14" - 07	Up to 60"
34	307728	24" - 07	61" to 96"

PKG NO. 33	PKG NO. 34	ITEM DESCRIPTION
1 - 103155 (6)	--	OPERATOR OS 14" RH (LH)
--	1 - 103159 (60)	OPERATOR OS 24" RH (LH)
1 - 307664	1 - 307665	ACCESSORY PACKAGE - 07
1 - 402497	1 - 402498	OPERATING LEVER
1 - 409318	1 - 409319	DOOR ROD
1 - 515430	1 - 515430	PLUG-IN RELAY

#### FOR HEAVY INDUSTRIAL APPLICATIONS For ALL AIR, See Page CP-7B

PKG NO.	PART NO.*	DESCRIPTION	SIZE OF OPENING
35	307729	14" - 07D	60" to 100"
36	307730	24" - 07D	101" to 144"

PKG NO. 35	PKG NO. 36	ITEM DESCRIPTION
1 - 103155 (6)	--	OPERATOR OS 14" RH (LH)
1 - 103164 (5)	--	OPERATOR OSS 14" RH (LH) SLAVE
--	1 - 103159 (60)	OPERATOR OS 24" RH (LH)
--	1 - 103168 (9)	OPERATOR OSS 24" RH (LH) SLAVE
1 - 307639	1 - 307640	ACCESSORY PACKAGE - 07D
1 - 402498	1 - 306584	OPERATING LEVER
1 - 409318	--	DOOR ROD
1 - 409319	1 - 409319	DOOR ROD
1 - 515430	1 - 515430	PLUG-IN RELAY

\*Note: For LH Packages, change 2nd digit of part number to = 8

**Carey Automatic Door, LLC**  
**PNEUMATIC OPERATOR FOR SINGLE SLIDING DOOR**

**ALL AIR INDUSTRIAL & HEAVY DUTY APPLICATIONS**

PKG NO.	PART NO.*	DESCRIPTION	SIZE OF OPENING
33AA	347727	14" 07 - ALL AIR	Up to 60"
34AA	347728	24" 07 - ALL AIR	61" to 96"
35AA	347729	14" 07D - ALL AIR	60" to 100"
36AA	347730	24" 07D - ALL AIR	101" to 144"

PKG NO. 33AA	PKG NO. 34AA	PKG NO. 35AA	PKG NO. 36 AA	ITEM DESCRIPTION
1 - 103305 (6)	--	2 - 103305 (6)	--	OSX - 14" R.H. (LH) All Air Operator
--	1 - 103307 (8)	--	2 - 103307 (8)	OSX - 24" RH (L.H) All Air Operator
1 - 920100	1 - 920100	1 - 920100	1 - 920100	ALL AIR VALVE PACKAGE
1 - 307664	1 - 307665	--	--	ACCESSORY PACKAGE - 07
--	--	1 - 307639	1 - 307640	ACCESSORY PACKAGE - 07D
1 - 402497	1 - 402498	1 - 402498	1 - 306584	OPERATING LEVER
1 - 409318	--	1 - 409318	--	DOOR ROD
--	1 - 409319	1 - 409319	2 - 409319	DOOR ROD
2 - 402839	2 - 402839	2 - 402839	2 - 402839	PULL CORD - MA-10 OR
2 - 409693	2 - 409693	2 - 409693	2 - 409693	PALM BUTTON

\*NOTE: For LH Packages, change 2nd digit of part number to = 5.

See Page CP-13 for additional ALL AIR and Explosion Proof information.

<h2 style="margin: 0;">Carey Automatic Door, LLC</h2> <h3 style="margin: 0;">OSX ALL AIR (EXPLOSION PROOF) OPERATOR PACKAGES</h3>
---

### 100% ALL AIR & EXPLOSION PROOF PACKAGES

**100% ALL AIR door systems** are pneumatically operated with no electronics. **Explosion Proof door systems** are pneumatically operated with no electronics as well as all moving components are manufactured from non-sparking materials.

**100% ALL AIR & EXPLOSION PROOF OPERATORS:**

**Air Opening and Air Closing (no electricity involved)** - pneumatically controlled from central air supply or separate compressor. Opening and closing action will be individually controlled by separate built-in pressure regulators and opening and closing valves, which are all adjustable for pressure and volume for required speed and power. All regulators and valves can be self-contained within a control box at the door location. The operator will be capable of operating doors against wind velocities (and equivalent stack pressures) up to 40 miles per hour. Built-in two-stage checking cylinders for both opening and closing limits. The operator will instantaneously recycle the door to the full open position from any point in closing cycle. The operator will be activated by two pneumatic push plate or pull cord assemblies. The entire system is driven by pneumatic cylinders and valves without the use of electrical or electronic components.

**All Operators available as ALL AIR. The following are excluded as Explosion Proof Packages: 17, 18, 19, 20, 21, 22, 23, 26, 27, 30, 31, 32, 37, 38, 39, 40, 55, 56 & 57.**

**FACTORS TO CONSIDER BEFORE ORDERING:**

- HAND:** Swinging Doors - Specify Right Hand for clockwise, Left Hand for counterclockwise.  
Sliding Doors - Specify Right Hand if door slides to the left to open, Left Hand if door slides to right.
- REVEAL:** Distance from back of operator case to inside surface of door in closed position.  
Varies with door thickness and hanging. (See Detail Sheet MDS-255 on Page CP-19)
- SIDE CLEARANCE:** Distance **required** between jamb and side wall for door bracket.
- OPENING:** Determines size of operator required.

To order **ALL AIR (EXPLOSION PROOF)** equipment select the application required as shown on Pages CP-2 through CP-12A. Order by Part Number. Fire door packages include closing lever with weights.

The ALL AIR (EXPLOSION PROOF) Package Equipment List will differ from the appropriate Standard Package Equipment List as follows:

<u>PART NO.</u>	<u>DESCRIPTION</u>	
103305	OSX - 14" R.H. All Air Operator	Substituted for Regular Operator
103306	OSX - 14" L.H. All Air Operator	Substituted for Regular Operator
103307	OSX - 24" R.H. All Air Operator	Substituted for Regular Operator
103308	OSX - 24" L.H. All Air Operator	Substituted for Regular Operator
920100	ALL AIR Valve Package	1 included in Every Package except Fire Door
402839	Pull Cord - MA-10	2 included in Every Package <b>OR</b>
409693	Wall Mounted Palm Button Switches	2 included in Every Package
960130	All Air Time Delay (0-30 seconds)	1 included in Every Package
960175	All Air Time Delay (0-60 seconds)	Available on special order as an optional extra
311769	Valve Control Panel	Available on special order as an optional extra

**AVAILABLE ACTIVATION OPTIONS:**

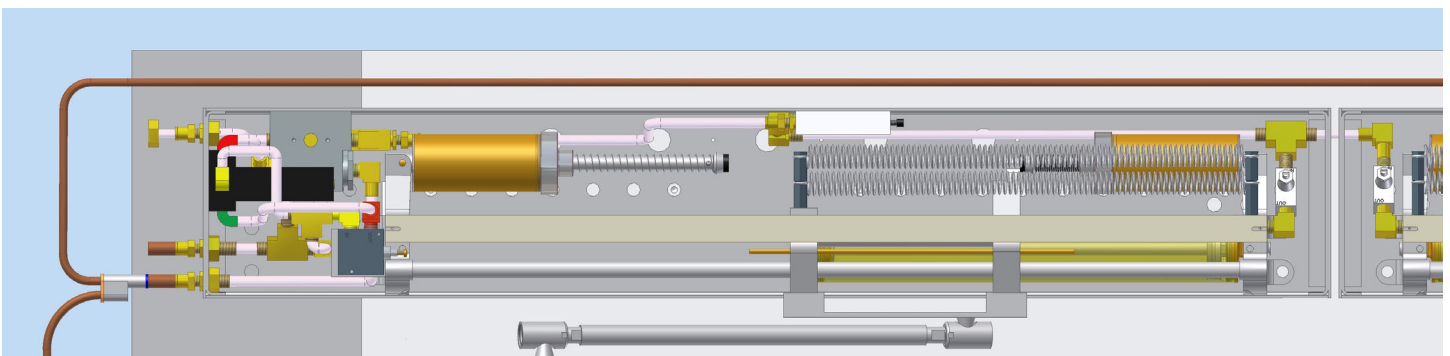
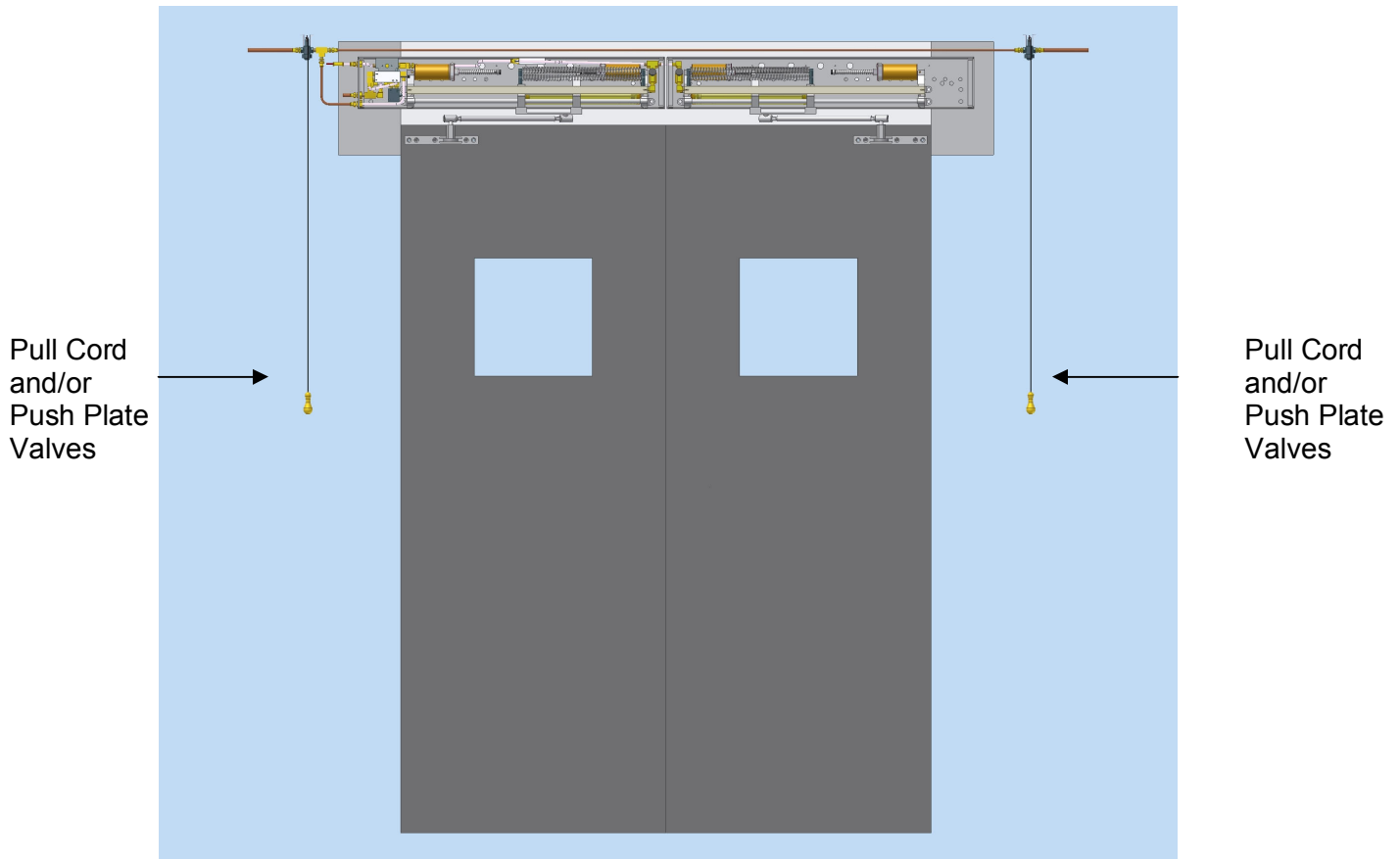
- Push to Open, Push to Close
- Push to Open, Hold Open with Time Delay (standard: 30 sec., optional: 60 sec.), Air Power Close

**Customized Systems Available for Specialized Applications.**

*Carey Automatic Door, LLC, its employees and associates are not electrical engineers or building code experts. You should consult the proper experts before purchasing a system in a hazardous area.*

**Carey Automatic Door, LLC**  
**OSX ALL AIR (EXPLOSION PROOF) OPERATOR PACKAGES**

**“IN” SWING OPERATORS**  
**Doors Swing Under the Operator**

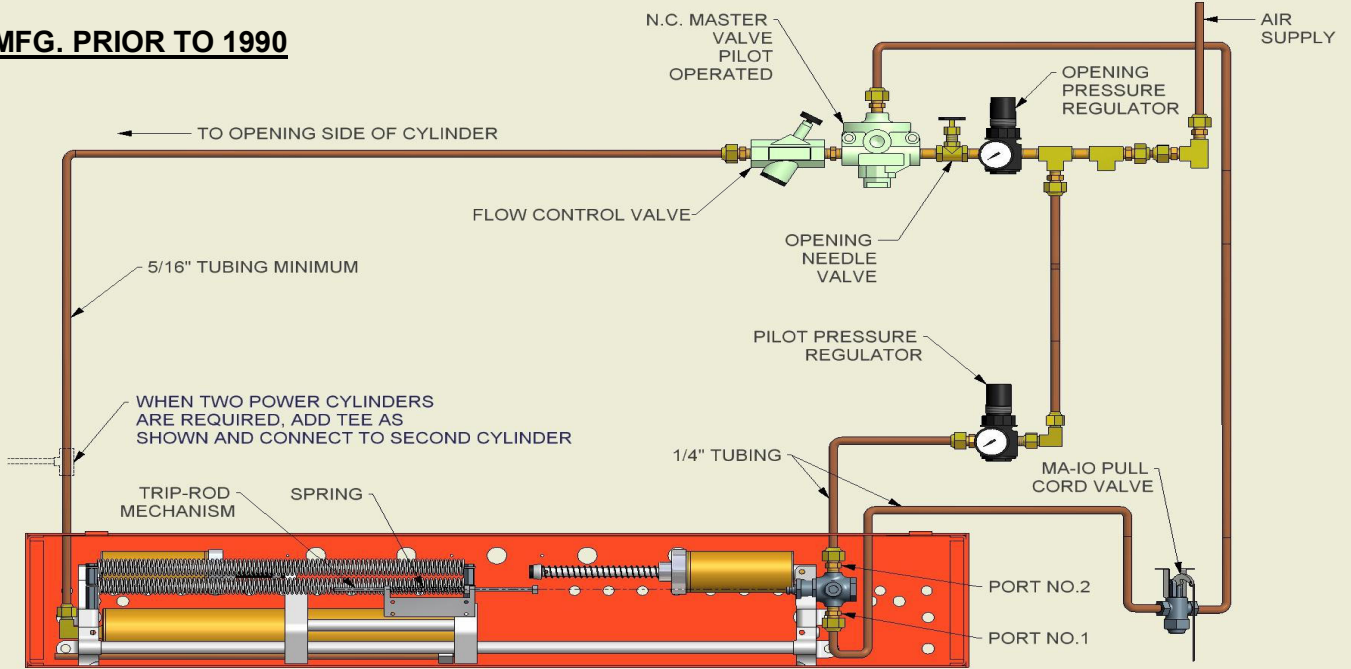


**All Regulators & Valves are Self-Contained with Operator Case!**

# Carey Automatic Door, LLC

## OSX ALL AIR (EXPLOSION PROOF) OPERATOR PACKAGES

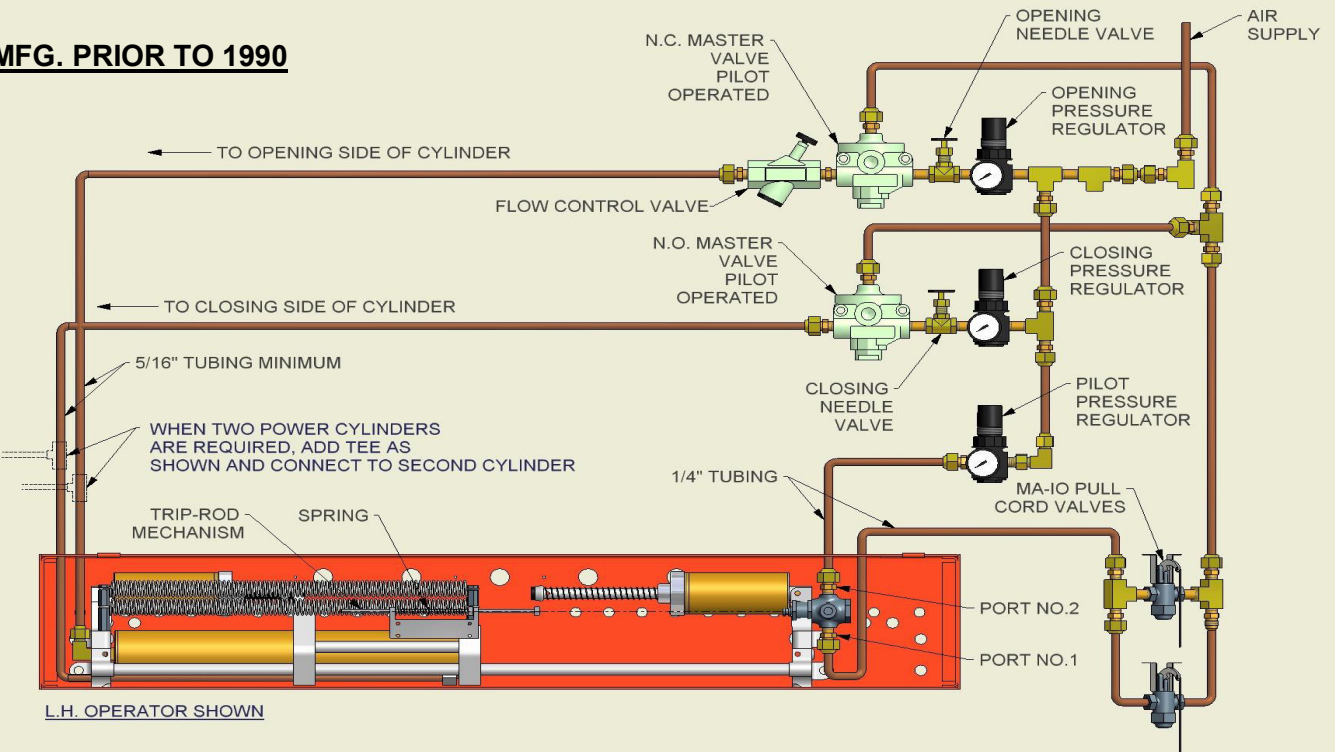
**AS MFG. PRIOR TO 1990**



L.H. OPERATOR SHOWN

**ALL PNEUMATIC CONTROL WITH SINGLE ACTING AIR  
AND COUNTER-WEIGHT CLOSING**

**AS MFG. PRIOR TO 1990**



L.H. OPERATOR SHOWN

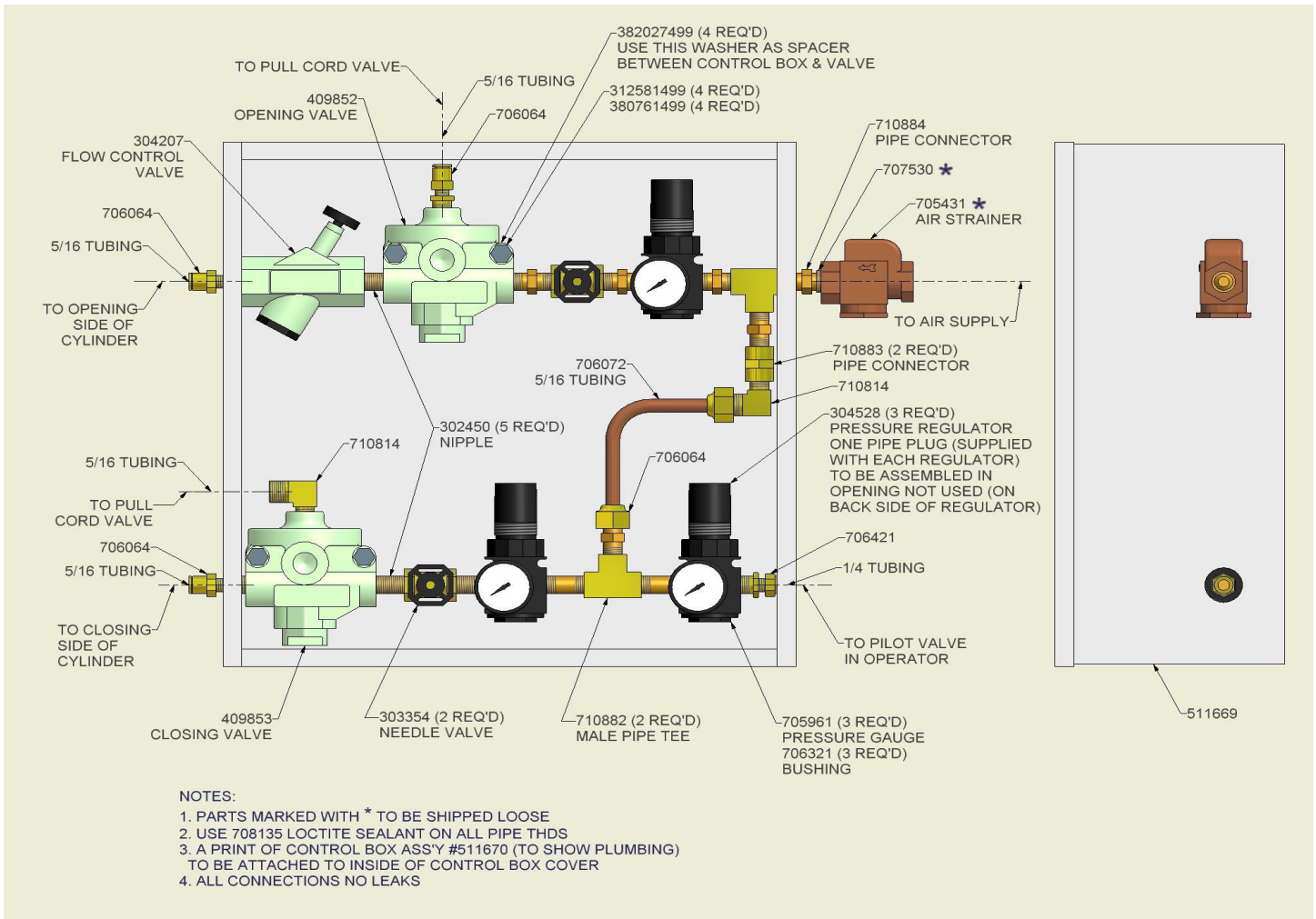
**ALL PNEUMATIC CONTROL WITH DOUBLE ACTING AIR**

# Carey Automatic Door, LLC

## OSX ALL AIR (EXPLOSION PROOF) OPERATOR PACKAGES

### CONTROL BOX ASSEMBLY DOUBLE ACTING

**PART NO.: 511670**



# Carey Automatic Door, LLC

## SPECIFICATIONS: OS PNEUMATIC OPERATORS & CONTROLS

### I. GENERAL

Furnish pneumatic operators (visible or concealed), controls, and accessories, including necessary connecting hardware and air supply, as indicated on architectural plans and in accordance with manufacturer's working drawings, wiring diagrams and instructions. Equipment shall be as manufactured or supplied by Carey Automatic Door, LLC of Southbury, Connecticut.

### II. SCOPE OF WORK

**A. The General Contractor** shall coordinate his work with the work of all trades, including Masonry, Plumbing, Electrical, Automatic Doors sections of the specifications and as covered in Architectural and Manufacturer's details. For overhead installation of the operator, header construction adequate to support the operator shall be provided.

**A-1. Under Automatic Doors Section:** The Automatic Doors contractor shall furnish and install the Pneumatic Operator, door arms and connecting rods, carpets or other controls, molding and other accessories. Work to be in strict accordance with manufacturer's recommendations.

**A-2. Under Masonry Section:** When concealed under-floor application is required, the Masonry contractor shall grout and plumb special floor pivot supplied by Carey Automatic Door in accordance with manufacturer's instructions, and it shall be plumb and true and rigidly mounted to receive operator.

Where molding is required for recessed carpet installations, the Masonry contractor shall provide recesses in floor for carpet frames, and shall set and level carpet frames in accordance with manufacturer's drawings and instructions. Necessary support for operators will be provided in accordance with suppliers detailed drawings.

**A-3. Under Electrical Section:** The Electrical contractor shall provide 115 v., 60 cycle, 1 phase supply to the manufacturer's 115/24 v. transformer. Operator, carpets and manual controls shall be wired to 24 v. circuit. Photoelectric controls shall be wired to 115 v. circuit. Compressor motor shall be wired to nameplate voltage and phase supply.

**A-4. Under Plumbing Section:** The Plumbing contractor shall connect air compressor or central air supply to Pneumatic Operator with brass pipe, copper tubing or equivalent with brass fittings, in accordance with lengths and sizes shown on manufacturer's details and instructions. Minimum pressure in air line before operator pressure regulator shall be at least 20 p.s.i. more than required by operator. The Plumbing contractor shall check with Carey representative for air requirements, since this varies with the operator application (60 p.s.i. will be maximum operator requirements). Furnish and install drain traps where necessary for all low points or pockets in the air line.

### III. FUNCTIONAL

**A. Operators - Air Power Opening and Spring Closing (Single Acting)** - These shall be pneumatically powered from central air supply or separate compressor. Opening action shall be controlled by built-in pressure regulator set and shall be adjustable for pressure and volume for required speed and power at door location. Closing speed shall be controlled by power springs and valve exhaust adjustment. Built-in adjustable two-stage checking cylinders for both opening and closing limits. Operators to contain plug-in type electrical control relays. Operators to instantaneously recycle to full open position from any point in closing cycle.

**B. Operators - Air Power Opening and Air Power Closing (Double Acting)** - These shall be pneumatically powered from central air supply or separate compressor. Opening and closing action shall be individually controlled by separate built-in pressure regulator sets and shall be adjustable for pressure and volume for required speed and power at door location. Operators shall be capable of operating doors against wind velocities (and equivalent stack pressures) up to 40 miles per hour. Built-in adjustable two-stage checking cylinders for both opening and closing limits. Operators to contain plug-in type electrical control relays.

(Continued)

<b>Carey Automatic Door, LLC</b> <b>SPECIFICATIONS: OS PNEUMATIC OPERATORS &amp; CONTROLS</b>
--

**III. FUNCTIONAL**

**C. Actuating Control** - Shall be either or a combination of the following, selected to suit the existing traffic conditions and conform to the operating limits of the control. Optional 3-30 second plug-in time delay relay shall be provided when required.

**Carpet** shall be HD or SC types of waterproof and wear resistant vinyl construction, not more than 1/2" in thickness. Carpet sizes and positioning shall be as indicated on plans. Carpet shall be wired for low voltage (24 v.) circuit by means of a transformer in the control box. Built-in safety features shall prevent opening of door when approached from wrong direction while door is in closed position, and also maintain door in open position when minimum pressure of 10-15 lbs. is applied to either Opening or Safety Carpet. Carpet control shall be limited in application to openings having only pedestrian traffic or light weight rubber tired wheeled traffic. Install in accordance with manufacturer's details and instructions.

**Photoelectric Controls, Models HR-1 (Horizontal) and VR-1 (Vertical)** - Beams shall recognize a minimum interruption of 0.1 seconds and generate a signal and shall operate up to a distance of 40 feet at this sensitivity. Not to be affected by voltage variations between 90-137 volts, 60-cycle, A.C.

**Manual Controls** shall be either or a combination of the following:

C-7	Push Button Switch
C-8	Push Plate Switch
CU-8-E	Explosion-proof Push Plate Switch
C-14	Pull Cord Switch
C-11-A	Floor Button Switch
C-14-A	Explosion-proof Pull Cord Control

**D. Emergency Release Bracket** - shall be furnished where required to quickly disengage the operator and permit an in-swinging door to swing outward. Manual return of door to closed position will re-engage the operator automatically.

**E. Miscellaneous** - Where required, use the following accessories:

- Rails - Models P-60 or P-50
- Stanguard Protectors - Model G-101
- Carpet Molding - To conform to carpet.

**F. Air Supply** - Shall be either central air supply or separate compressor. Must be capable of delivering the necessary C.F.M. free air as required by type and number of pneumatic operators. Consult Carey representative for capacity recommendations.

**IV. BILL OF MATERIALS AND DETAILS**

Consult Carey representative for information.

<b>Carey Automatic Door, LLC</b> <b>SPECIFICATIONS: INDUSTRIAL SWING &amp; SLIDE DOOR OPERATORS</b>
--

**I. GENERAL**

**A.** Furnish pneumatic operators as manufactured or supplied by Carey Automatic Door, LLC of Southbury, Connecticut. The system shall consist of: Pneumatic Operator and connecting hardware, control relay, actuating controls and accessories.

**B. Related Work Specified Elsewhere**

The general contractor shall coordinate the work of all trades, including glass and glazing, masonry, plumbing, and electrical requirements covered in manufacturer's details and appropriate sections of specifications.

**B-1. Under Electrical Section**

The electrical contractor shall provide 117v, 60 cycle, 1 phase supply to the manufacturer's control relay. Compressor motor shall be wired to nameplate voltage and phase supply.

**B-2. Under Electrical (if applicable)**

The electrical contractor shall provide electrical conduit and wiring from specified controls to control relay as outlined on manufacturer's drawings.

**B-3. Under Plumbing Section**

The plumbing contractor shall connect air compressor or central air supply to Pneumatic Operator with copper tubing and brass fittings or equivalent in accordance with lengths and sizes shown on manufacturer's details and instructions. Minimum pressure in air line before operator pressure regulator shall be at least 20 p.s.i. more than required by operator. The plumbing contractor shall check with Carey representative for air requirements, since this varies with the operator application (60 p.s.i. will be maximum operator requirements). Furnish and install drain traps where necessary for all low points or pockets in the air line.

**B-4. Under Frames and Doors (if applicable)**

Furnish and install frames and doors as specified and shown on drawings.

**B-5. Under Masonry Section (if applicable)**

The masonry contractor shall provide recess in floor for mat frames and shall set and level frames in accordance with manufacturer's drawings and instructions.

**C.** All automatic entrance equipment is to comply fully with all sections of ANSI A156.10.

**D.** All equipment must operate between -20° degrees F and +120° degrees F.

**II. PRODUCT**

**A. Operators (specify A-1, A-2 or A-3)**

**A-1. OS SINGLE ACTING PNEUMATIC OPERATORS**

**Air Power Openings and Spring Closing** - these shall be pneumatically powered from central air supply or separate compressor. Opening action shall be controlled by built-in pressure regulator and shall be adjusted for pressure and volume for required speed and power at door location. Closing speed shall be controlled by power springs and valve exhaust adjustment. Built-in adjustable two-stage checking cylinders for both opening and closing limits. Operators to contain plug-in type control relays with adjustable time delay. Operators to instantaneously recycle to full open position from any point in closing cycle.

(Continued)

<b>Carey Automatic Door, LLC</b> <b>SPECIFICATIONS: INDUSTRIAL SWING &amp; SLIDE DOOR OPERATORS</b>
--

**II. PRODUCT**

**A. Operators (specify A-1, A-2 or A-3)**

**A-2. OD DOUBLE ACTING PNEUMATIC OPERATOR**

**Air Power Openings and Air Power Closing** - these shall be pneumatically powered from central air supply or separate compressor. All Air lines to be made from non-ferrous material with air line filter. Opening and closing action shall be individually controlled by separate built-in pressure regulator sets which shall be adjustable for pressure and volume for required speed and power at door location. Operators shall be capable of operating doors against wind velocities (and equivalent stack pressures) up to 40 miles per hour. Built-in adjustable two-stage checking cylinders for both opening and closing limits. Operators to contain plug-in type electrical control relays with adjustable time delay. Operators to instantaneously recycle to full open position from any point in closing cycle.

**A-3. OSX ALL AIR OPERATOR**

**Air Openings and Air Closing (no electricity involved)** - these shall be pneumatically powered from central air supply or separate compressor. All Air lines to be made from non-ferrous material with air line filter. Opening and closing action shall be individually controlled by separate built-in pressure regulators and opening and closing valves, which shall be adjustable for pressure and volume for required speed and power. Regulators and valves shall be self-contained within a control box at door location. Operators shall be capable of operating doors against wind velocities (and equivalent stack pressures) up to 40 miles per hour. Built-in two-stage checking cylinders for both opening and closing limits. Operators to instantaneously recycle the door to full open position from any point in closing cycle. Operator shall be activated by two class 10, MA-10 pull cord valve or pneumatic palm button assemblies.

**B. Actuating Controls**

Carey shall furnish specified controls such as: palm buttons, push plates, pull cords and other accessories as manufactured by Carey Automatic Door.

**III. EXECUTION**

**A.** The general contractor shall ensure that no defects or errors are present in completed phases of the work which would result in poor application or installation, or cause latent defects of the automatic door equipment.